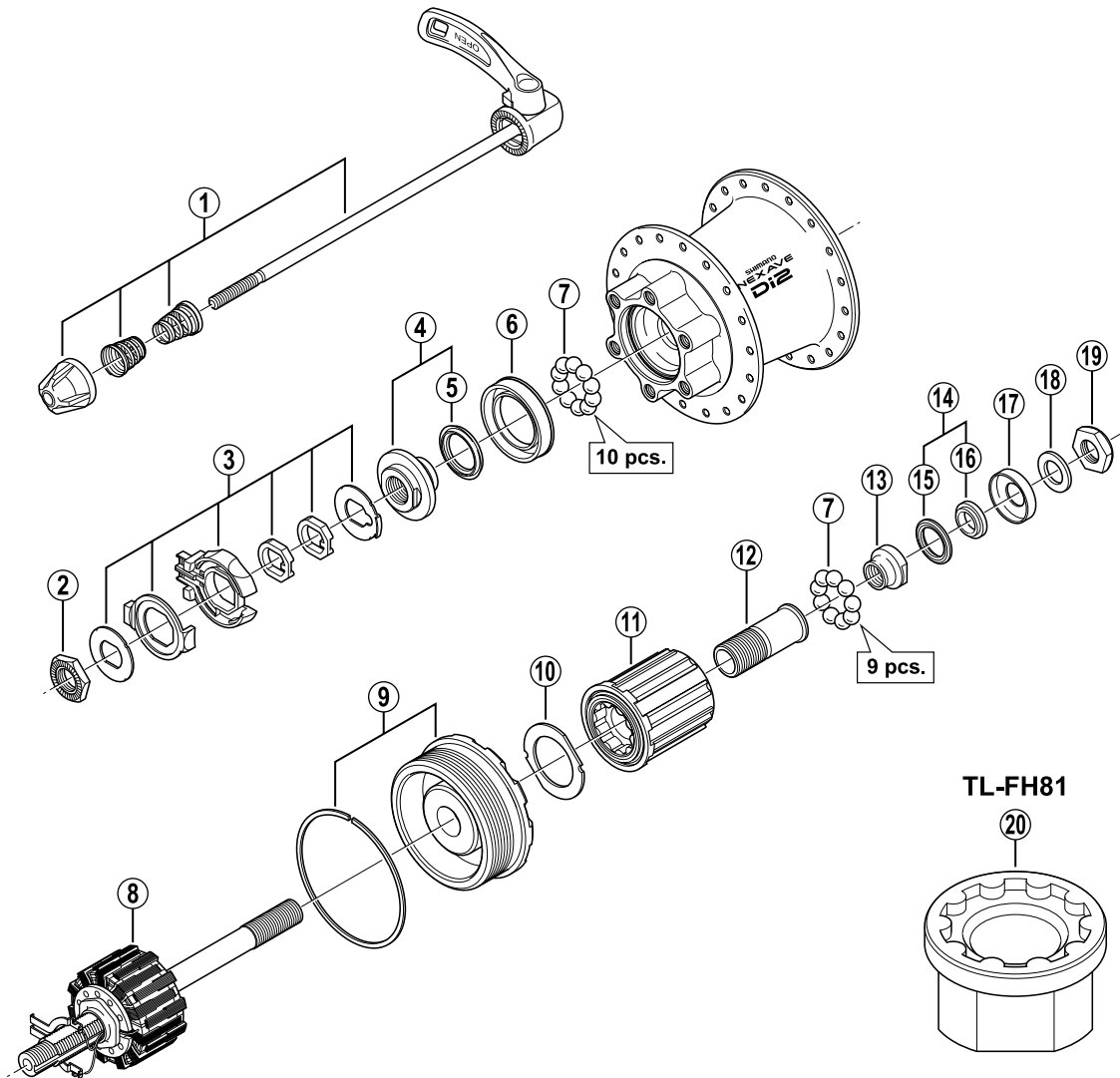


SHIMANO NEXAVE Freehub Dynamo

FH-C811 Disc Brake Compatible / 8-Speed



Q'TY	ITEM NO.	SHIMANO CODE NO.	DESCRIPTION
	1	Y-3B2 98010	Complete Quick Release 168 mm (6-5/8")
	2	Y-220 05021	Left Hand Serated Lock Nut 3.5 mm
	3	Y-3BT 98010	Connector Housing Unit
	4	Y-3BT 98020	Left Hand Cone (M12 x 15.1 mm) w/Dust Cap & Seal Ring
	5	Y-3BT 06000	Left Hand Seal Ring
	6	Y-3BT 07000	Left Hand Inner Dust Cap
	7	Y-3BT 98030	Steel Ball (1/4") 19 pcs.
	8	Y-3BT 98040	Internal Assembly (Axle Length 146 mm)
	9	Y-3BT 98050	Right Hand Adapter & Washer
	10	Y-3AN 10000	Freewheel Body Washer
	11	Y-3BD98010	Complete Freewheel Body w/Right Hand Dust Cap
	12	Y-3BL 03000	Body Fixing Bolt
	13	Y-3AE 03000	Right Hand Cone M10 x 9 mm
	14	Y-32X 98020	Right Hand Axle Spacer & Seal Ring
	15	Y-214 06000	Right Hand Seal Ring
	16	Y-31V 03000	Right Hand Axle Spacer 3.7 mm
	17	Y-3A0 05100	Right Hand Dust Cap
	18	Y-301 07100	Right Hand Washer 1.5 mm
	19	Y-220 05031	Right Hand Serated Lock Nut 4 mm
	20	Y-20W00110	TL-FH81 Right Hand Adapter Removal Tool